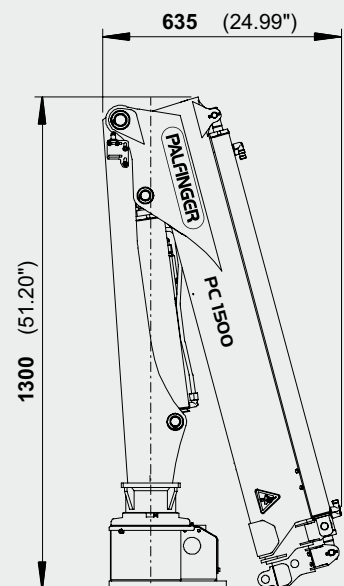
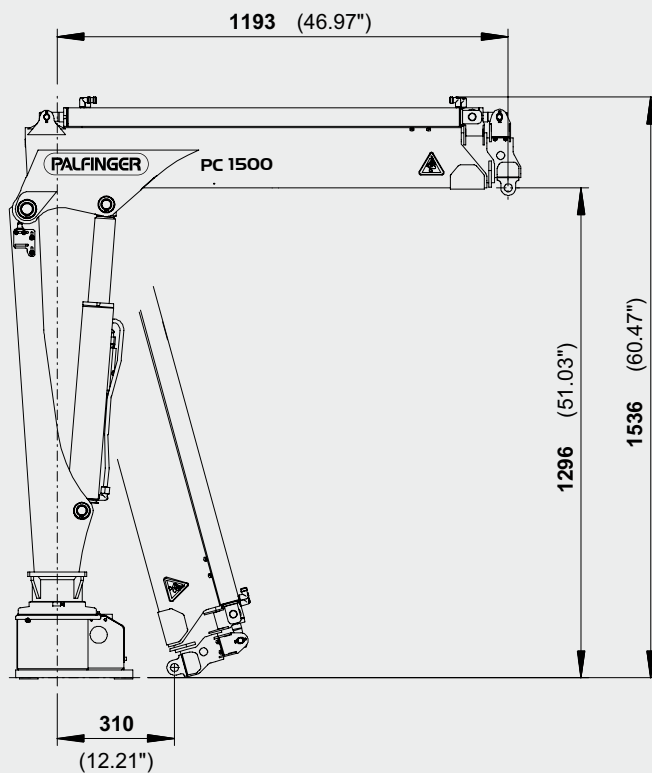


PC 1500 COMPACT




DIMENSIONS



EXTENSION BOOM VARIATIONS

A V1



m	1.2	2.1	3.1	4.2
kg max.	990	630	440	270

TECHNICAL SPECIFICATIONS (EN 12999 H1-B2)

Max. lifting moment	1.4 mt/13,6 kNm	10020 ft. lbs
Max. lifting capacity	990 kg/9,7 kN	2200 lbs
Max. hydraulic outreach	3.1 m	10' 2"
Max. manual outreach	4.2 m	13' 9"
Slewing angle	325°	
Slewing torque	0.20 mt/2.0 kNm	1480 ft.lbs
Fitting space required (std.)	0.40 m	1' 4"
Width folded	0.64 m	2' 1"
Max. operating pressure	200 bar	2900 psi
Recommended pump capacity	6 l/min	1.6 US gal./min
Dead weight (std.)	164 kg	360 lbs

